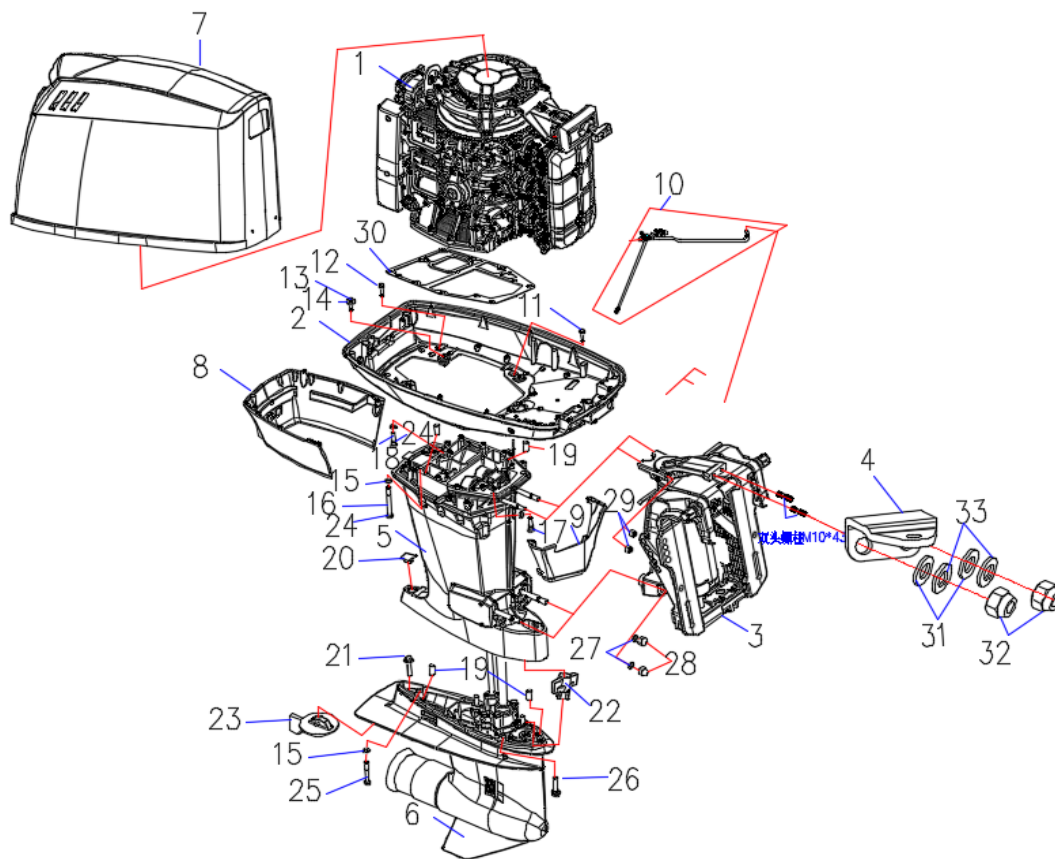


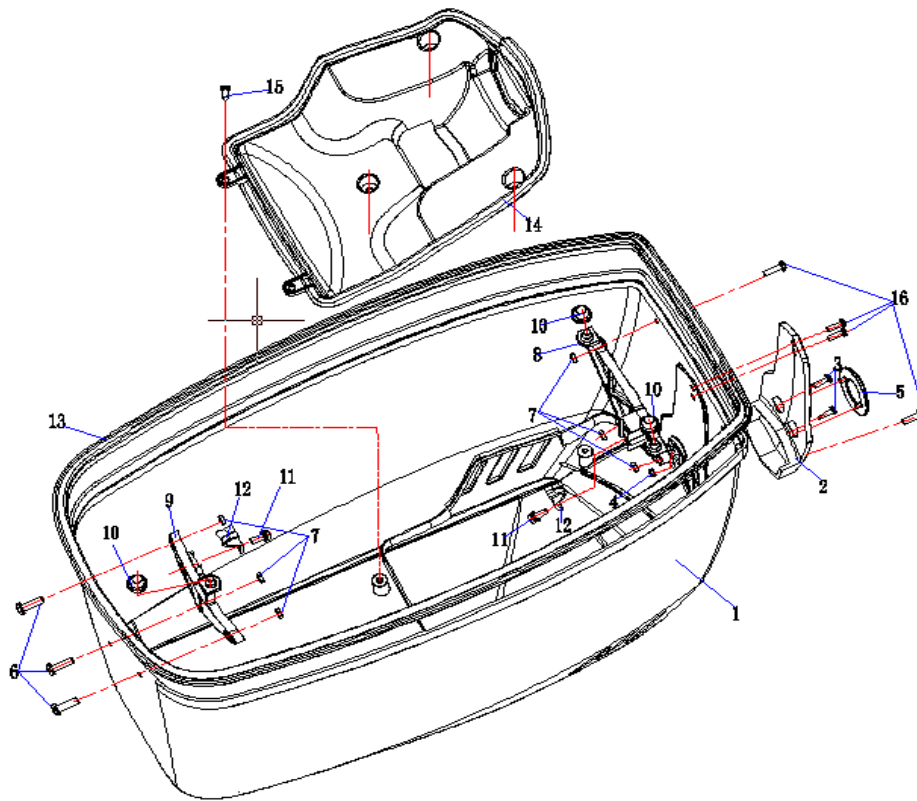


Мотор лодочный Marine Rocket MR90FFEL-T (1140 см³)



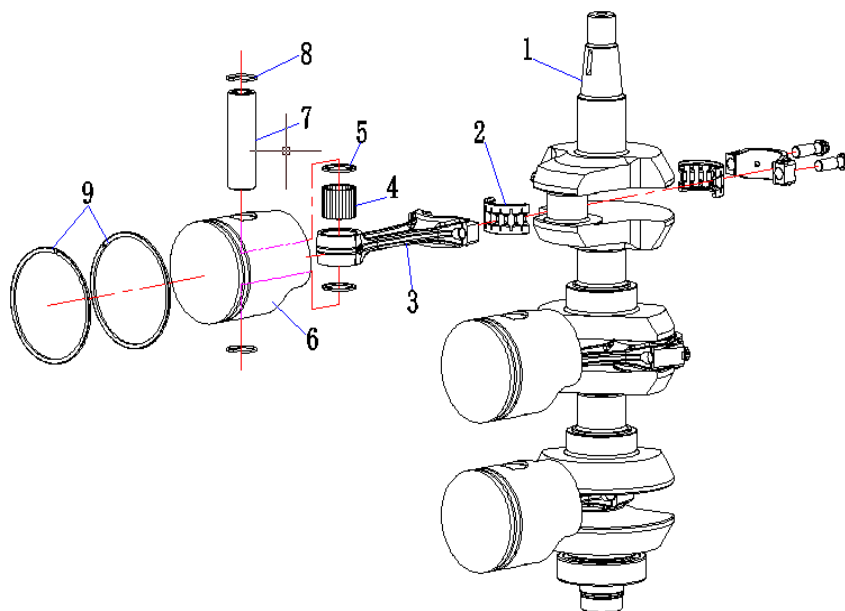
1. Узлы и блоки

NO.	КОД МР	КОД №2	КОД ОЕМ	НАИМЕНОВАНИЕ	ШТ	УПАКОВКА
1	MR030725	MR08030012	85F-01.00.00.00	Engine Assy.	1	1
2			85F-02.00.00.00	Lower cowling system	1	
3			60F-03.00.00.00	Clamp Bracket system	1	
4	MR09302081104007	2081104007	85F-03.00.00.01	control hook	1	1
5			85F-05.00.00.00	Waterborne casing	1	
6	MR030536	MR08140022	85F-06.00.00.00	Lower unit	1	
7	MR030231	MR08010017	85F-07.00.00.00	Top Cowling Assambly	1	
8	MR09302011105007	2011105007	85F-00.00.00.01	Decorative cover	1	1
9	MR09302011105008		85F-00.00.00.02	Decorative cover	1	1
10			85F-01.06.00.00	Upper Gear Shift system	1	
11	MR0104408BAG		GB9074.1 M6*30(8.8)	Bolt	2	10
12	MR0104406BAG		GB9074.1M6*20(8.8)	Flat gasket&Bolt	2	10
13	MR0104014BAG			Bolt	4	10
14	MR01081907BAG		60F-00.00.00.04	Flat Gasket	4	2
15	MR010417109BAG			Flat gasket	11	10
16	MR01040451BAG		GB5783 M8*90(8.8)	hex bolt	8	5
17	MR0104038BAG		GB/T5782 M8*35(8.8)	Bolt	2	5
18	MR0104036BAG		GB/T5782 M8*25(8.9)	Hex Head Bolt M8*25	1	5
19	MR01020110BAG		15F-01.06.20	Locating Pin 2*6	2	10
20	MR01061902BAG		60F-00.00.00.03	Anode plug	1	2
21	MR0104353		GB/T5787-86 M10*1.25*45(8.8)	Hexagon head flange bolts M10*1.25*45 (S12)	1	1
22	MR2071106001	MR2071106001	85F-06.00.00.01	Limit bushing	2	1
23	MR01011901		60F-06.00.00.03	Anode	1	1
24	MR01041540BAG		GB/T93-87	washer	1	10
25	MR0104413BAG		GB9074.1 M8*40(8.8)	Flat gasket&bolts	1	10
26	MR010441360BAG		GB9074.1 M8*50(8.8)	Bolt and washer assembly	4	5
27	MR0104161BAG		GB/T848	Flat gasket 12	2	10
28	MR0104333			Hex nylon locking nut M12*1.25	2	1
29	MR2022703010A		F60-04.00.01.10	Hexagonal nylon lock nut	2	1
30	MR2051105008		85F-05.00.00.02	Body seal	2	1
31	MR01041710901BAG		GB97.1 M10	Flat gasket	2	10
32	MR0104230BAG			hexagonal lock nut M10*1.25	2	2
33	MR01041541BAG		GB/T93 M10	Spring washer	1	10



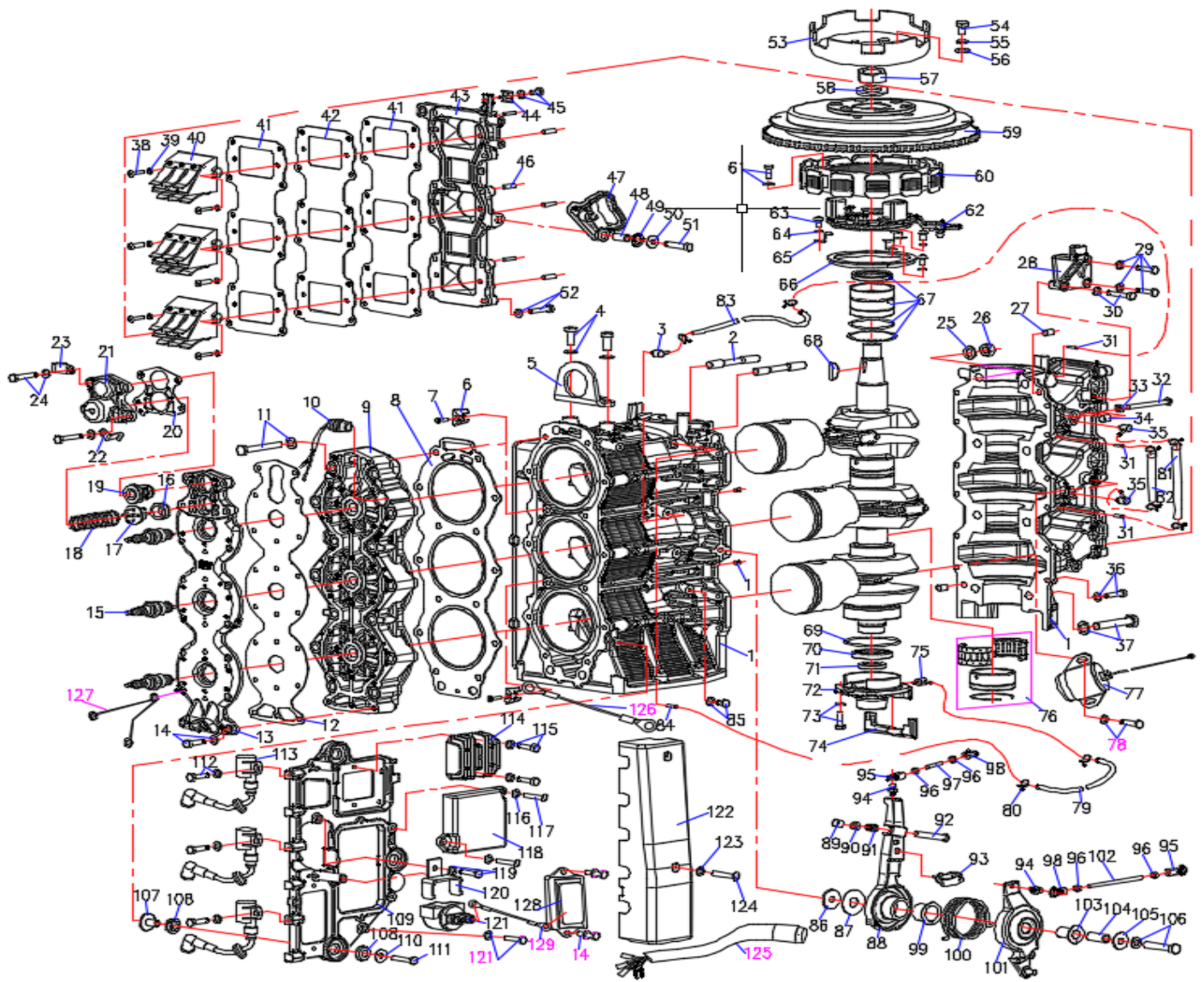
2. Капот

NO.	КОД MR	КОД №2	КОД OEM	НАИМЕНОВАНИЕ	ШТ	УПАКОВКА
1	MR2071107001		85F-07.00.00.01	Top cover	1	1
2	MR2072707005A		F60-07.00.01.09	Logo installation board	1	1
3	MR0104079BAG		GB818 M5*16	Pan head bolt with cross recess	2	10
4	MR0104145BAG		DIN985 M5	Hexagonal nut	2	10
5	MR2072707003A		F60-07.00.00.05	Sea logo	1	1
6	MR01040830BAG		GB818 M6*14	Cross recessed pan head screws	3	10
7	MR0104138BAG		GB6170 M6	Hex Nut M6	7	10
8	MR2011107001		85F-07.00.00.04	Rear locking hook fixing plate	1	1
9	MR2011107002		85F-07.00.00.05	Front locking hook fixing plate	1	1
10	MR01061945BAG		60F-07.00.00.02	Top cowling shock absorbing foot	3	2
11	MR0104404BAG		GB9074.1 M6*16(8.8)	Bolt	2	10
12	MR01081947		60F-07.00.00.01	Locking hook	2	1
13	MR2061107001		85F-07.00.00.03	Rubber strip	1	1
14	MR2071107002		85F-07.00.00.02	Air inlet cover	1	1
15	MR0104093BAG		GBT845-ST4_8X16	bolt	5	10
16	MR01040832BAG		GB818 M6*18	Pan head bolt with cross recess M6*18	4	10



3. Коленвал

NO.	КОД MR	КОД №2	КОД OEM	НАИМЕНОВАНИЕ	ШТ	УПАКОВКА
1	MR2051101066		85F-01.04.01.01	Crankshaft	1	1
2	MR2051101070		85F-01.04.00.30	Split needle roller bearing	3	1
3	MR2051101063		85F-01.04.05.00	Link assembly	3	1
4	MR01051115BAG		40F-01.06.04.04	Bolt	84	28
5	MR010811160BAG		40F-01.06.04.05	Needle bearing plate	6	2
6	MR2051101062			Piston	3	1
7	MR2051101064		85F-01.04.00.26	Piston pin	3	1
8	MR01051918BAG		60F-01.04.00.21	Piston pin Circlip	6	10
9	MR2051101065		85F-01.04.00.28	Piston ring	6	1

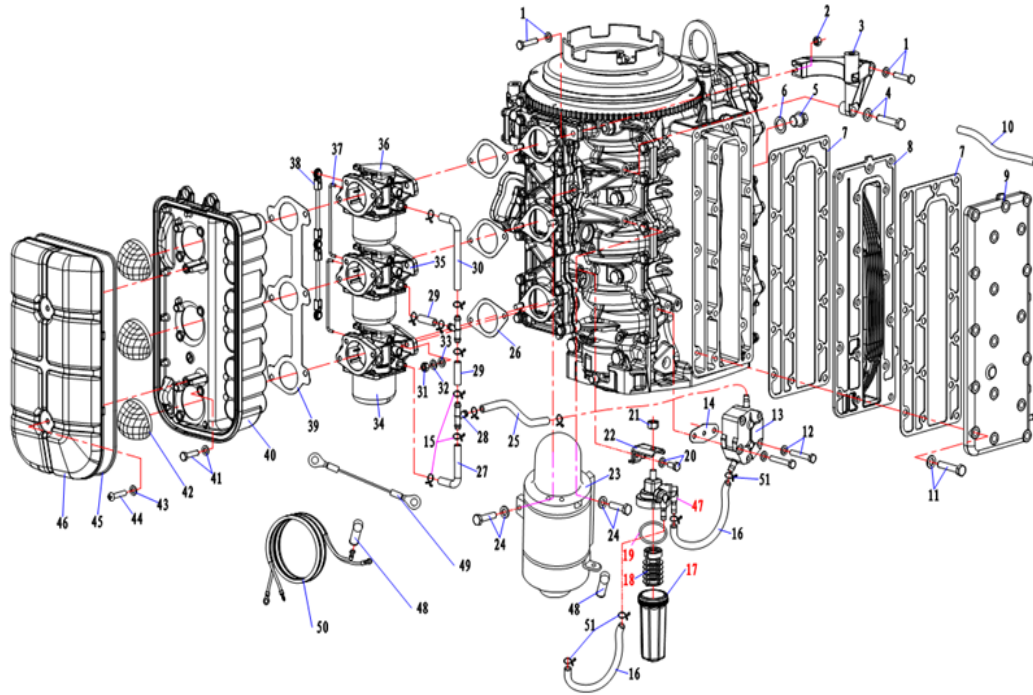


4. Блок двигателя 1

NO.	КОД MR	КОД №2	КОД OEM	НАИМЕНОВАНИЕ	ШТ	УПАКОВКА
1	MR2011101041		85F-01.04.03.00	Case fitting	1	1
2	MR2B10004		GB899 M10*1.25*60	Stud	2	1
3	MR01020108		15F-01.06.03	Joint,air breather tube	1	1
4	MR0104035BAG		GB9074.1 M8*20(8.8)	Bolt	2	10
5	MR2081101010		85F-01.04.00.31	Engine ring	1	1
6	MR2011101039		85F-01.04.00.17	Body anode	2	1
7	MR0104109BAG		GB819 M4*16	Cross recessed countersunk head screw	2	10
8	MR2051101056		85F-01.04.00.04	Cylinder pad	1	1
9	MR2011101011		85F-01.04.00.03	cylinder head	1	1
10	MR01031907		60F-01.02.02.00	Temperature Sensor Assy	1	1
11	MR0104417BAG		GB9074.1M8*60(10.9)	bolt&flat gasket Assy.	14	5
12	MR2051101055		85F-01.04.00.02	Cylinder head gasket	1	1
13	MR2011101010		85F-01.04.00.01	Exhaust cover	1	1
14	MR0104407BAG		GB9074.1M6*25(8.8)	Hexagonal bolt & flat gasket assy M6*25	20	10
15	MR01030310		BR8HS-10(30F/60F)	Spark plug	3	1
16	MR2061101007		85F-01.04.00.18	Thermostat spring seat seal	1	1
17	MR2071101006BAG		85F-01.04.00.19	Thermostat spring seat	1	2
18	MR2091101002		85F-01.04.00.20	Thermostat spring	1	1
19	MR01050104		15F-01.06.14-50°	thermostat 50°C	1	1
20	MR2051101060BAG		85F-01.04.00.21	Thermostat gasket	1	2
21	MR2011101030		85F-01.04.00.22	Thermostat cover	1	1
22	MR2081101008		85F-01.04.00.12	High temperature alarm plate	1	1
23	MR01080210BAG		F15-01.03.00.42	fix clip,air breather tube	1	5
24	MR0104409BAG		GB9074.1 M6*35(8.8)	Hexagonal bolt & flat gasket assy M6*35	4	10
25	MR01041710901BAG			Flat gasket	2	10
26	MR0104140BAG		GB6170 M10*1.25	Hexagonal nut M10*1.25	2	2
27	MR01021110BAG		40F-01.06.00.25	Dowel pin 8*12	2	5

28	MR2011101026		85F-01.04.00.06	Starter cover right bracket	1	1
29	MR0104407BAG		GB9074.1M6*25(8.8)	Hexagonal bolt & flat gasket assy M6*25	2	10
30	MR0104409BAG		GB9074.1 M6*35(8.8)	Hexagonal bolt & flat gasket assy M6*35	1	10
31	MR2022701059ABAG		F60-01.07.03.29	Oil chamber discharge port	3	2
32	MR2B10002BAG		GB818 M6*65	Cross recessed pan head screws	1	10
33	MR0104138BAG		GB6170□	Hex Nut M6	1	10
34	MR01070121BAG		15F-01.04.07	screw cap	1	2
35	MR01020108		15F-01.06.03□	Joint,air breather tube	2	1
36	MR0104407BAG		GB9074.1M6*25(8.8)	Hexagonal bolt & flat gasket assy M6*25	12	10
37	MR0104433		GB/T9074.1M10*1.25*55	Bolt and washer assembly (iron chrome alloy)	6	1
38	MR0104336BAG		GB/T823 M5*16	Screw M5*16	6	10
39	MR0104153BAG		GB93 M5	Spring washer	6	10
40	MR2051101052		85F-01.03.06.00	Intake valve assembly	3	1
41	MR2051101053		85F-01.03.00.08	Intake manifold gasket	2	1
42	MR2081101006		85F-01.03.00.09	Intake manifold gasket liner	1	1
43	MR2011101007		85F-01.03.00.10	Intake manifold	1	1
44	MR2081101007		85F-01.03.00.16	Timing pointer	1	1
45	MR0104402BAG		GB9074.1 M6*10(8.8)	Hexagonal bolt & flat gasket assy M6*10	1	10
46	MR2B10005BAG		GB901 M6*30	Stud	6	2
47	MR2071101010		85F-01.05.03.00	Sliding seat assembly	1	1
48	MR2021101006		85F-01.05.00.12	Sliding seat liner	1	1
49	MR01081944BAG		60F-01.05.00.07	Wave Washer	1	5
50	MR0104164BAG		GB96 M6	Flat gasket	1	10
51	MR01040150BAG		GB5783 M6*35	Bolt	1	10
52	MR0104408BAG		GB9074.1 M6*30(8.8)	Bolt	12	10
53	MR2081101001		85F-01.01.00.22	Start hub	1	1
54	MR0104032BAG		GB/T5783 M8*12	Hex head bolt M8*12	3	10
55	MR01041540BAG		GB/T93 M8	washer	3	10
56	MR010417109BAG		GB/T97.1 M8	Flat gasket	3	10
57	MR01021106		40F-01.03.02	Flywheel nut	1	1
58	MR010417209BAG			Flat gasket	1	10
59	MR2031101014		85F-01.02.10.00	Flywheel assembly	1	1
60	MR2031101024		85F-01.02.11.00	Stator assembly	1	1
61	MR0104408BAG		GB9074.1 M6*30(8.8)	Bolt	3	10
62	MR2031101021		85F-01.02.09.00	Magnetic base assembly	1	1
63	MR0104318BAG			Cross recessed Pan head screws M6*12	3	10
64	MR0104171BAG			Flat gasket	3	10
65	MR2081101003		85F-01.02.00.08	Magnetic motor seat plate	1	1
66	MR2071101002		85F-01.02.00.20	Magnetic seat bushing	1	1
67	MR2050901001		60F-01.04.02.00	Needle bearing assembly	1	1
68	MR011011071		40F-01.03.03	Woodruff key	1	1
69	MR2061101006		85F-01.04.00.11	Oil seal housing O-ring (61.5*2.65)	1	1
70	MR01051936		60F-01.04.04.02	Oil seal, Crank shaft	1	1
71	MR2051101057		85F-01.04.04.02	Oil seal on the drive shaft (20*32*5)	1	1
72	MR2011101027		85F-01.04.04.01	Crankshaft lower oil seal housing	1	1
73	MR0104406BAG		GB9074.1M6*20(8.8)	Flat gasket&Bolt	3	10
74	MR2061101008		85F-01.04.00.29	Body seal	1	1
75	MR01020108		15F-01.06.03	Joint,air breather tube	1	1
76	MR2051101069		85F-01.04.02.00	Split needle roller bearings (with housing)	1	1
77	MR2031101028		85FE-01.02.11.00	Solenoid valve assembly	1	1
78	MR0104404BAG		GB9074.1 M6*16(8.8)	Bolt M6*16(8.8)	2	10
79	MR2061101011		85F-01.04.00.08	Trachea 2.5*7*470	1	1
80	MR01090137BAG		15F-01.06.06	Tube clip	8	10
81	MR01062102BAG		20F-01.06.00.03	Oil return pipe 3*7*185	1	2
82	MR2061101004BAG		85F-01.04.00.07	Trachea 2.5*7*105	1	2
83	MR010621020BAG		20F-01.06.00.02	Balance pipe 3*7*270	1	2
84	MR01020111BAG		15F-01.06.21	Air Tube fitting B	1	2
85	MR0104403BAG		GB/T9074.1 M6*12	Bolt	1	10
86	MR0104176BAG		GB5287 M8	Flat pad	1	10
87	MR2071101009BAG		85F-01.05.00.08	Plastic gasket	1	2
88	MR2011101031		85F-01.05.00.03	Timing control end wheel	1	1
89	MR01070121BAG		15F-01.04.07	screw cap	1	2
90	MR0104138BAG		GB6170□	Hex Nut M6	1	10
91	MR2091101004BAG		85F-01.05.00.10	Timing screw spring	1	2
92	MR2B10003BAG		GB/T 818 M6*50	Cross recessed pan head screw M6*50	1	10

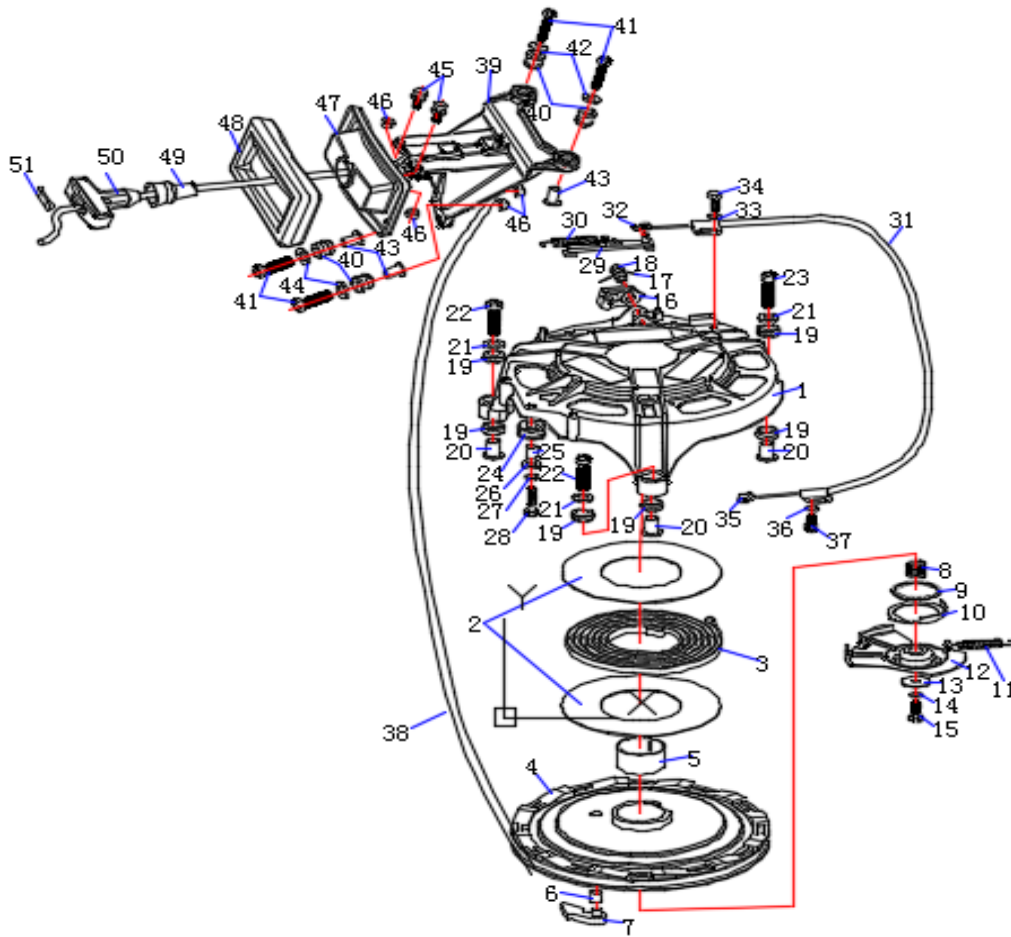
93	MR01070310BAG		F4-01.02.06.05	Round nylon buckle	1	2
94	MR010213001BAG		30F-01.02.00.02	Ball head bolt	2	2
95	MR01070117BAG		15F-01.03.12	Linkage connector	2	2
96	MR0104323BAG		GB/T6172.1 M5	Hexagonal thin nut M5	4	10
97	MR2021101003BAG		85F-01.05.01.01	Timing link	1	2
98	MR010713013BAG		30F-01.05.00.03	Timing adjustment connecting bolt	2	2
99	MR2071101008BAG		85F-01.05.00.07	End wheel bushing	1	2
100	MR2091101003		85F-01.05.00.04	Torsion spring	1	1
101	MR2011101032		85F-01.05.00.05	Throttle control end wheel	1	1
102	MR2021101004		85F-01.05.02.01	Throttle connecting rod	1	1
103	MR2071101007		85F-01.05.00.01	End wheel liner	1	1
104	MR2021101011		85F-01.05.00.02	End wheel liner	1	1
105	MR0104165BAG		GB96 M8	Flat gasket	1	10
106	MR01044136BAG		GB/T9074.1 M8*45	Hexagon headed bolt and flat plate M8*45	1	2
107	MR01020515BAG		F9.9-02.00.00.06	Shoulder pad	3	2
108	MR2061101001		85F-01.02.00.05	Rubber damping ring	6	1
109	MR2011101005		85F-01.02.00.07	Electrical bracket	1	1
110	MR0104164BAG		GB/T96	Flat gasket	3	10
111	MR0104408BAG		GB9074.1 M6*30(8.8)	Bolt	3	10
112	MR0104406BAG		GB9074.1M6*20(8.8)	Flat gasket&Bolt	3	10
113	MR2031101017		85F-01.02.04.00	High voltage package	3	1
114	MR2031101023		85F-01.02.08.00	Rectifier	1	1
115	MR0104406BAG		GB9074.1M6*20(8.8)	Flat gasket&Bolt	2	10
116	MR0104154BAG		GB93 M6	Spring Washer	2	10
117	MR0104225BAG			Pan head bolt with cross recess	2	10
118	MR2031101018		85F-01.02.05.00	Ignition controller assembly	1	1
119	MR0104404BAG		GB/T9074.1 M6*16	Bolt	1	10
120	MR2081101009		85FE-01.02.12.01	Relay bracket	1	1
121	MR01030817C			Relay Assy.(Electrical)	1	1
122	MR2071101001		85F-01.02.00.02	Electrical cover	1	1
123	MR0104158BAG		GB848 M6	Flat pad 6	2	10
124	MR0104318BAG		GB823 M6*12	Cross recessed Pan head screws M6*12	2	10
125	MR2031101020		85FE-01.02.07.00	Ten core harness	1	1
126	MR01031300		30F-01.02.00.08	ground wire	1	1
127	MR01030702		F6-01.03.06.00	ground wire	1	1
128	MR2031101029		85FET-01.02.15.00	trim relay	1	1
129	MR01031616		40FE-01.03.28	power cable "trim relay"	1	1



5. Блок двигателя 2

NO.	КОД MR	КОД №2	КОД OEM	НАИМЕНОВАНИЕ	ШТ	УПАКОВКА
1	MR0104408BAG		GB9074.1 M6*30(8.8)	Bolt	2	10
2	MR0104138BAG			Hex Nut M6	1	10
3	MR2011101012		85F-01.04.00.05	Starter cover left bracket	1	1
4	MR0104413BAG		GB9074.1 M8*40(8.8)	Flat gasket&bolts	1	10
5	MR01020217		F15-05.00.00.08	Drain bolt M14*12*1.5	1	1
6	MR010818005BAG		F25-01.04.00.01	Washer 14	1	2
7	MR2051101058		85F-01.04.00.14	Vent cover gasket	2	1
8	MR2011101029		85F-01.04.00.15	Exhaust inner cover	1	1
9	MR2011101028		85F-01.04.00.13	Exhaust cover	1	1
10	MR01060425BAG		F2.5-05.00.00.09	Drain pipe 5*9*245	1	2
11	MR0104413BAG		GB9074.1 M8*40(8.8)	Flat gasket&bolts	18	10
12	MR0104410BAG		GB9074.1 M6*40(8.8)	Bolt	2	10
13	MR01051120B		40F-01.07.04.00	Fuel pump assy.	1	1
14	MR01051121BAG		40F-01.07.05	Fuel pump washer	1	2
15	MR01090138BAG			Tube Clip	12	10
16	MR2061101012		85F-01.03.00.13	Tubing 5*10*190	1	1
17	MR2072701074A		F60-01.07.01.07	Fuel filter lower housing	1	1
18	MR2072701075A		F60-01.07.01.31	Fuel filter element	1	1
19	MR01060112BAG		15F-01.07.05.06	O ring,filter	1	2
20	MR0104403BAG		GB9074.1 M6*12(8.8)	Bolt	1	10
21	MR0104139BAG		GB6170 M8	Bolt nut	1	10
22	MR01081109		40F-01.07.07	Bracket,fuel filter	1	1
23	MR2031101026		85FE-01.02.00.06	Starter motor	1	1
24	MR01044130BAG		GB/T9074.1 M8*30(8.8)	Flat gasket&bolts	1	5
25	MR01061909BAG		60F-01.03.00.11	Oil pipe 5*9*125	1	2
26	MR2051101051BAG		85F-01.03.00.07	Carburetor gasket	3	2
27	MR2061101003BAG		85F-01.03.00.12	L-shaped tubing (short)	1	5
28	MR01070226BAG		F15-05.00.00.17	T-branch pipe	2	2
29	MR01061907BAG		60F-01.03.00.10	Fuill Pipe 5*9*30	2	2
30	MR2061101002BAG		85F-01.03.00.11	L-shaped water pipe (long)	1	2
31	MR0104138BAG		GB6170 M6	Hex Nut M6	6	10
32	MR0104154BAG		GB93 M6	Spring Washer	6	10
33	MR0104171BAG		GB/T97.1 M6	Flat gasket	6	10
34	MR2051101047		85F-01.03.02.00	Carburetor assembly	1	1

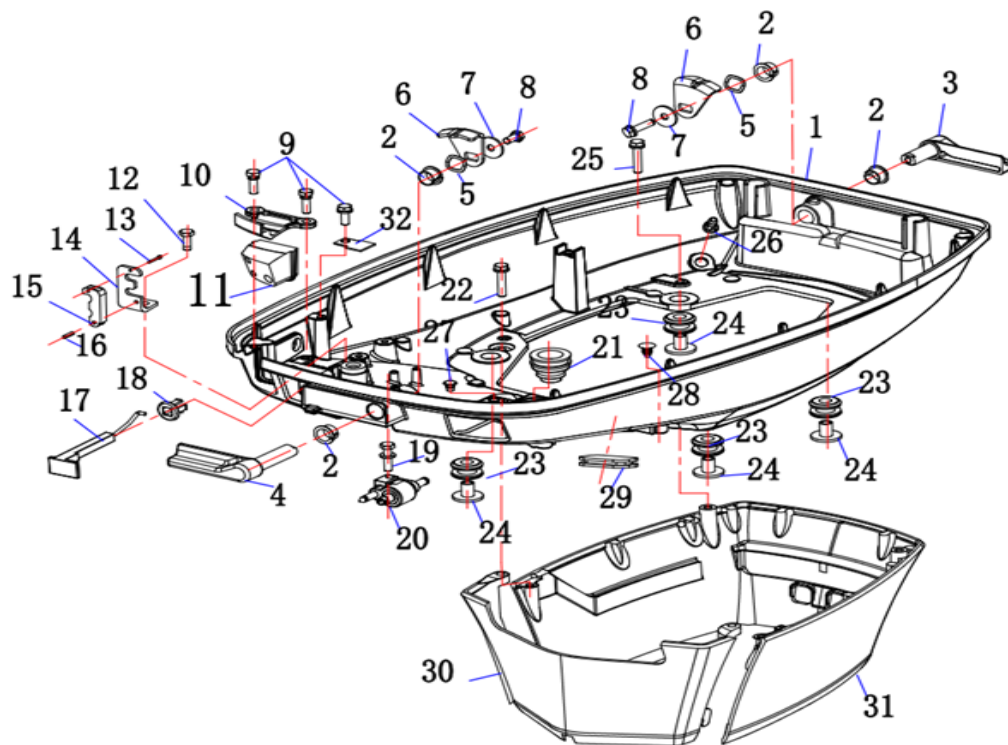
35	MR2051101047		85F-01.03.02.00	Carburetor assembly	1	1
36	MR2051101047		85F-01.03.02.00	Carburetor assembly	1	1
37	MR2091101001		85F-01.03.00.06	Damper linkage	2	1
38	MR2051101050		85F-01.03.05.00	Throttle linkage rod assembly	1	1
39	MR2051101054		85F-01.03.00.03	Air inlet cover gasket	1	1
40	MR2011101008		85F-01.03.00.02	Air inlet back cover	1	1
41	MR0104406BAG		GB9074.1M6*20(8.8)	Flat gasket&Bolt	6	10
42	MR2071101005BAG		85F-01.03.00.04	Air inlet guard	3	5
43	MR0104348BAG		GB862.1 M6	Lock washer M6	2	10
44	MR01040830BAG		GB818 M6*14	Cross recessed pan head screws	2	10
45	MR2061101005		85F-01.03.00.05	Air inlet cover rubber ring	1	1
46	MR2011101008		85F-01.03.00.02	Air inlet back cover	1	1
47	MR2070501007		15F-01.07.05.07	Fuel filter housing (top)	1	1
48	MR01060805		DQDF15-00.03.03	rubber sleeveA	2	1
49	MR2032701109		F60-01.07.14.28	ground wire	1	1
50	MR2031101032		85FE-01.02.05.00	battery cable	1	1
51	MR01090139BAG			clamp 10	4	10



6. Ручной стартер

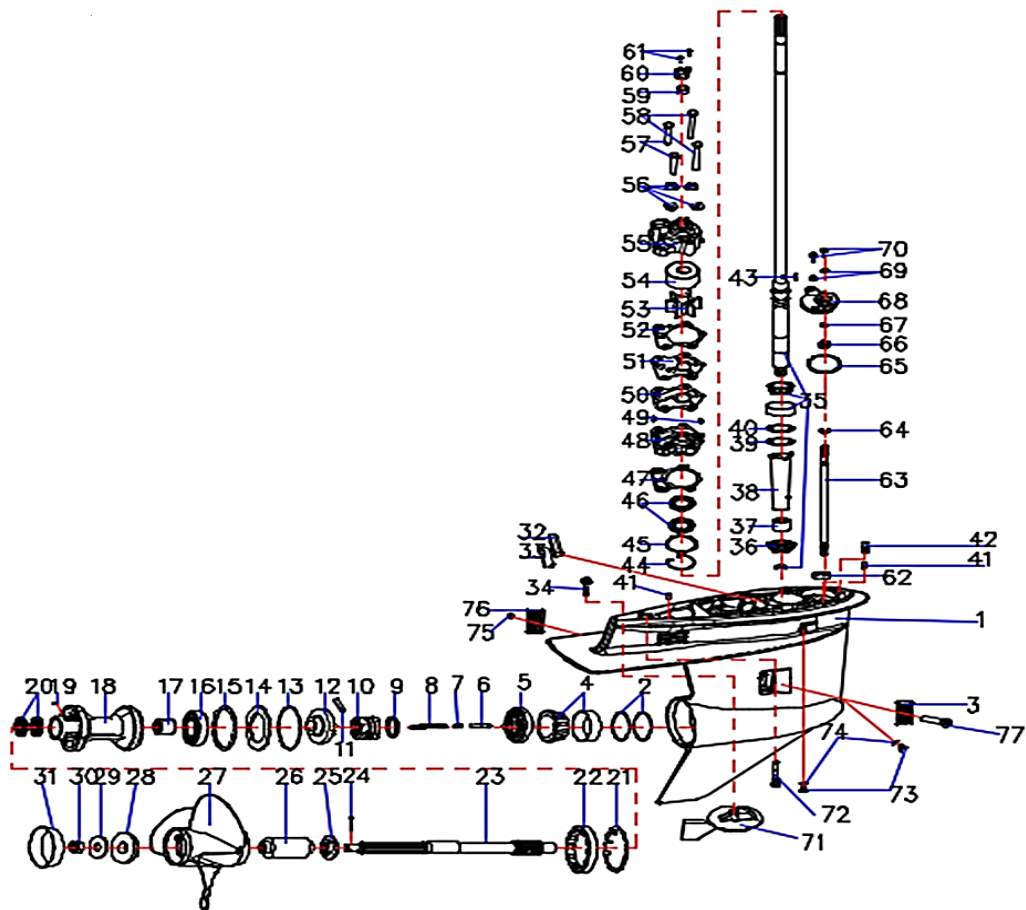
NO.	КОД MR	КОД №2	КОД OEM	НАИМЕНОВАНИЕ	ШТ	УПАКОВКА
1	MR091101011909	MR01011909	60F-01.01.00.17	Starter housing	1	1
2	MR010719010		60F-01.01.00.19	Antifriction disc	2	1
3	MR01091909		60F-01.01.00.21	Volute Spring	1	1
4	MR01011908		60F-01.01.00.14	Starter wheel	1	1
5	MR01071904BAG		60F-01.01.00.20	Bushing	1	2
6	MR01071902BAG		60F-01.01.00.12	Bush,drive arm	1	2
7	MR01081908		60F-01.01.01.00	Drive arm Comp	1	1
8	MR01091905BAG		60F-01.01.00.10	Spring	1	2
9	MR01091928		60F-01.01.00.18	Coller ARSM-39.7	1	1
10	MR01081921		60F-01.01.00.11	gasket plate	1	1
11	MR01091908BAG		60F-01.01.00.13	pressure plate retracting spring	1	5
12	MR01081937		60F-01.01.00.09	Start Plate	1	1
13	MR010819061BAG		60F-01.01.00.08	Copper washer	1	2
14	MR01041540BAG		GB/T93	washer	1	10
15	MR0104008BAG			Hex Head Bolt M6*12	1	10
16	MR01071901BAG		60F-01.01.00.06	Brake	1	2
17	MR01091907BAG		60F-01.01.00.05	torsional spring,brake	1	2
18	MR01021916		60F-01.01.00.04	Screw M5	1	1
19	MR01061104BAG		40F-01.01.14	Damper	6	2
20	MR01021915		60F-01.01.00.03	shulder cushion tube(L)	3	1
21	MR010417109BAG			Flat gasket	3	10
22	MR0104037BAG			Bolt	2	2
23	MR0104036BAG			Hex Head Bolt M8*25	1	5
24	MR010211020		40F-01.01.01.04	scroll,start wheel	1	1
25	MR01021102BAG		40F-01.01.01.05	bushing	1	2
26	MR0104164BAG			Flat gasket	3	10
27	MR0104154BAG			Spring Washer	7	10
28	MR0104374BAG			Bolt	1	10
29	MR01071903		60F-01.01.00.16	Brake silper	1	1
30	MR01091906BAG		60F-01.01.00.01	Brake tension spring	1	2

31	MR2101101001		85F-01.01.00.20	Brake cable assembly	1	1
32	MR01041850BAG			Cotter pin 1.6*12	1	10
33	MR0104171BAG			Flat gasket	1	10
34	MR01040311BAG			Hexagonal bolt M8*10	1	10
35	MR01021913BAG		60F-01.01.00.24	Coller A	1	2
36	MR0104171BAG			Flat gasket	1	10
37	MR01040311BAG			Hexagonal bolt M8*10	1	10
38	MR01101912BAG		60F-01.01.00.15	Starter Rope $\phi 6*2500\text{mm}$	1	2
39	MR09302011101004	MR2011101004	85F-01.01.00.17	Start rope bracket	1	1
40	MR01061111BAG		40F-01.03.23	Damper	4	2
41	MR01040140		GB5783 M6*30	Bolt	4	1
42	MR0104164BAG			Flat gasket	4	10
43	MR01021108BAG		40F-01.03.22	Shoulder pad tube	4	2
44	MR0104171BAG			Flat gasket	2	10
45	MR0104406BAG		GB9074.1 M6*20(A2-70)	Flat gasket&Bolt	2	10
46	MR0104138BAG			Hex Nut M6	4	10
47	MR2011101003		85F-01.01.00.07	Starter cover bracket	1	1
48	MR2061107002		85F-01.01.00.15	Rubber damping block	1	1
49	MR01061105BAG		40F-01.01.19	Shock ring,handle	1	2
50	MR01071107		40F-01.01.18	Starter handle	1	1
51	MR01071106BAG		40F-01.01.16	Starter Handle cover	1	2



7. Поддон двигателя

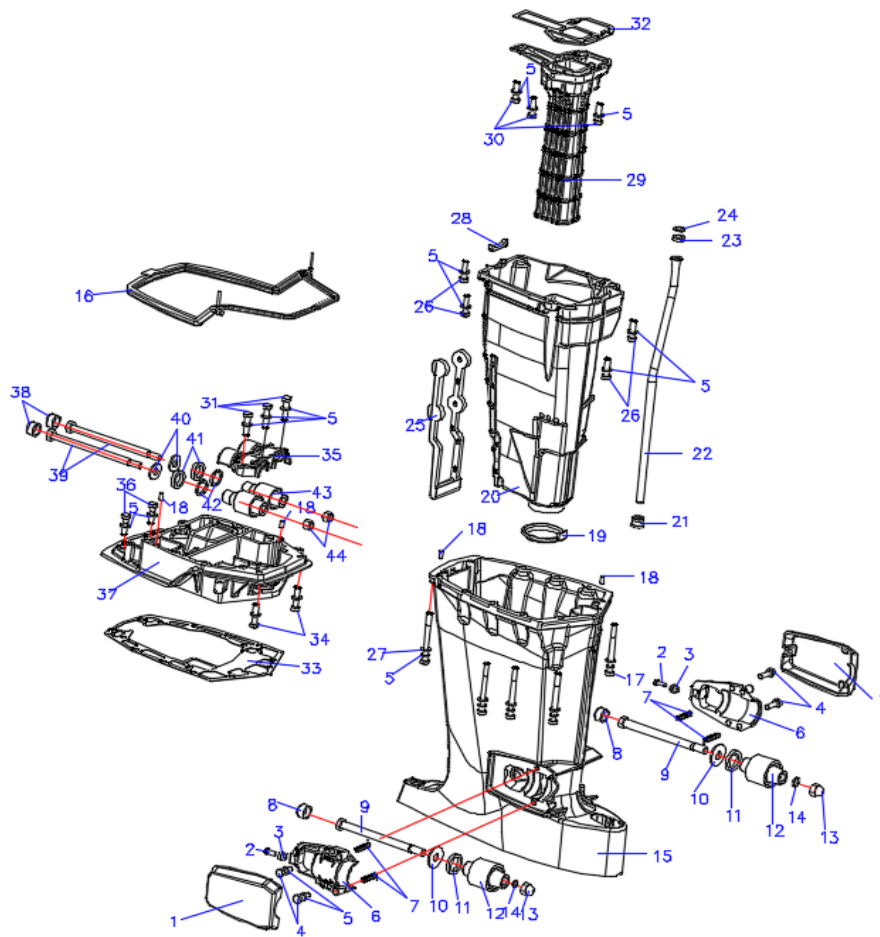
NO.	КОД MR	КОД №2	КОД OEM	НАИМЕНОВАНИЕ	ШТ	УПАКОВКА
1	MR09302011102030	MR2011102030	85F-02.00.00.10	Base	1	1
2	MR01071924BAG		60F-02.00.00.09	Washer	4	2
3	MR09302011102029	MR2011102029	85F-02.00.03.00	Rear locking handle assembly	1	1
4	MR09302011102028	MR2011102028	85F-02.00.02.00	Front locking handle assembly	1	1
5	MR01081942BAG		60F-02.00.00.11	Wave Washer	2	5
6	MR01081939		60F-02.00.00.14	Rear lock hook	2	1
7	MR0104175BAG		GB5287	Flat gasket 6	2	10
8	MR0104008BAG			Hex Head Bolt M6*12	2	10
9	MR0104404BAG		GB9074.1 M6*16(8.8)	Bolt	2	10
10	MR2011102027		85F-02.00.00.03	Pressure plate (throttle cable)	1	1
11	MR2061102002		85F-02.00.00.04	Throttle cable fixing sleeve	1	1
12	MR0104406BAG		GB9074.1 M6*20(8.8)	Hexagonal bolt M8*10	1	10
13	MR01090115BAG		15F-01.05.14	circlip	1	10
14	MR2081102003		85F-02.00.01.01	Throttle cable fixing bracket	1	1
15	MR2081102004		85F-02.00.01.02	Throttle cable fixing fasteners	1	1
16	MR01041940BAG		GB879 3*12	Elastic cylindrical pin 3*12	1	10
17	MR2071102002		85F-02.00.04.00	choke lever assy	1	1
18	MR01070135BAG		15F-02.03	Protecting bush,choke	1	2
19	MR0104407BAG		GB9074.1 M6*25(8.8)	Hexagonal bolt & flat gasket assy M6*25	1	10
20	MR01100106		15F-01.07.01.00	Fuel hose joint assy	1	1
21	MR2061102003		85F-02.00.00.09	Shift shaft guard	1	1
22	MR0104408BAG		GB9074.1 M6*30(8.8)	Hexagonal bolt M6*30	2	10
23	MR01061923BAG		60F-02.00.00.05	Damper(Bottem Cowling)	4	2
24	MR01021912		60F-02.00.00.04	Cushion pipe(Bottom cowling)	4	1
25	MR0104406BAG		GB9074.1 M6*20(8.8)	Hexagonal bolt M8*10	2	10
26	MR01070137BAG		15F-02.11	Plastic Water nozzle	1	5
27	MR01061924BAG		60F-02.00.00.06	Plug(small)	1	2
28	MR01071115BAG		40F-02.00.00.08	thread plug	1	2
29	MR01060526BAG		F9.9-02.00.00.15	rubber plug	1	2
30	MR09302011105007	MR2011105007	85F-00.00.00.01	Decorative cover	1	1
31	MR09302011105008	MR2011105008	85F-00.00.00.02	Decorative cover	1	1
32	MR01081602		40FE-02.00.00.01	wire clamp	1	1



8. Редуктор

NO.	КОД MR	КОД №2	КОД OEM	НАИМЕНОВАНИЕ	ШТ	УПАКОВКА
1	MR09302011106001	MR2011106001	85F-06.00.00.20	Underwater housing	1	1
2	MR010819040		60F-06.00.00.43	Forward gear Shim	2	1
3	MR01071939BAG		60F-06.00.00.01	Intake Cover(Left)	1	5
4	MR01051923		60F-06.00.00.42	Bearing 26822-N/26882R-N	1	1
5	MR2051106019		85F-06.00.00.19	Positive gear	1	1
6	MR2021106010		85F-06.00.00.18	Shift plunger	1	1
7	MR2021106011		85F-06.00.00.10	Sleeve	1	1
8	MR2091106001BAG		85F-06.00.00.12	spring	1	2
9	MR01091914BAG		60F-06.00.00.31	Circlip	1	2
10	MR2051106014		85F-06.00.00.11	clutch	1	1
11	MR01021910BAG		60F-06.00.00.32	Cluth Pin	1	5
12	MR2051106013		85F-06.00.03.09	Reverse gear	1	1
13	MR010819430		60F-06.00.00.24	Shim 0.5	1	1
14	MR01081940		60F-06.00.03.05	Thrust washer	1	1
15	MR01061940		60F-06.00.03.03	Lower Casing cap O ring(83*5.6)	1	1
16	MR01051942		60F-06.00.03.04	deep groove ball bearing 6207	1	1
17	MR01051941		60F-06.00.03.02	Needle Bearing HK2526	1	1
18	MR091101011947		60F-06.00.03.07	Lower casing cap	1	1
19	MR01081912BAG		60F-06.00.00.23	Flat Key	1	2
20	MR01051949		60F-06.00.02.03	Oil Seal 40*25*6	2	1
21	MR01081913		60F-06.00.00.22	Stop washer	1	1
22	MR01011946		60F-06.00.00.21	Ring nut	1	1
23	MR2051106020		85F-06.00.00.13	Propeller shaft	1	1
24	MR01041892BAG			Cotter pin	1	10
25	MR01021948		60F-06.00.00.49	Propeller Pad	1	1
26	MR01061950		60F-06.01.01.00	Propeller Spline Assy	1	1
27	MR01011904		60F-06.01.00.01	Propeller 1312*15-K	1	1
28	MR01081927		60F-06.00.00.48	Propeller Washer	1	1
29	MR01081935		60F-06.00.00.47	Hex Nut Washer	1	1
30	MR01021131		40F-06.02.07	Nut	1	1
31	MR01011949		60F-06.01.00.02	Horn Mouth	1	1
32	MR01061942BAG		60F-06.00.00.13	Gasket	1	2
33	MR01011134		40F-06.01.10	pressing plate,sealing strip	1	1
34	MR0104353		GB5787 M10*1.25*45 (9.8)	Hexagon head flange bolts M10*1.25*45 (S12)	1	1
35	MR2051106015		85F-06.00.00.14	Drive shaft	1	1
36	MR2051106016		85F-06.00.00.15	Driving wheel	1	1

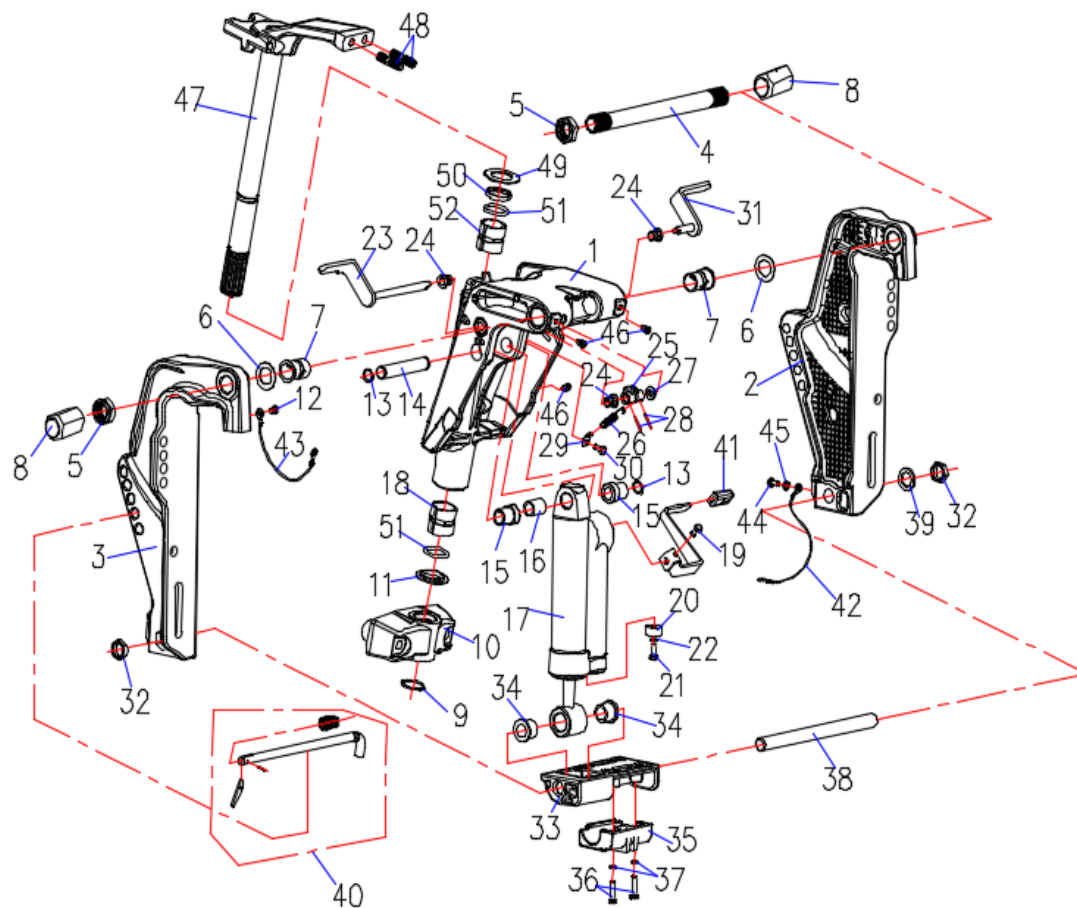
37	MR01051953		60F-06.00.00.45	Needle Bearing BH-1620	1	1
38	MR01071943		60F-06.00.00.44	Nylon Cushion	1	1
39	MR010819050		60F-06.00.00.40	Draft shaft Shim 0.5	1	1
40	MR010819060BAG		60F-06.00.00.39	Draft shaft Shim 0.1	2	2
41	MR01020110BAG		15F-01.06.20	Locating Pin 2*6	2	10
42	MR01021941		60F-06.00.00.20	Hex Bolt	1	1
43	MR01101907		60F-06.00.00.08	Impeller Woodruff key	1	1
44	MR01091901		60F-06.00.02.04	Spring Washer	1	1
45	MR01061941		60F-06.00.02.02	Oil Seal shell O ring(45.6*3.2)	1	1
46	MR01051949		60F-06.00.02.03	Oil Seal 40*25*6	2	1
47	MR01051913BAG		60F-06.00.00.12	Oil seal shell gasket	1	2
48	MR091101011953	MR01011953	60F-06.00.02.01	Oil Seal Shell	1	1
49	MR01020521BAG		F9.9-05.00.00.26	Locating Pin 4*10	2	10
50	MR01051914BAG		60F-06.00.00.11	Seal gasket plate	1	5
51	MR01081911			Water pump impeller Gasket	1	1
52	MR01051915BAG		60F-06.00.00.09	Water pump shell seal gasket	1	2
53	MR01061901			Water pump impeller assy	1	1
54	MR01081910			Water pump inner shell	1	1
55	MR01071942		60F-06.00.00.06	Water pump outer shell	1	1
56	MR010417109BAG			Flat gasket	4	10
57	MR0104041BAG			Hex Head Bolt M8*50	2	10
58	MR0104248			Hex Head Bolt M8*70	2	1
59	MR01061943BAG		60F-06.00.00.05	Water pipe seal ring	1	5
60	MR01071941BAG		60F-06.00.00.04	Water pipe seal ring plate	1	2
61	MR0104090BAG			Cross recessed pan head tapping screws	2	10
62	MR2051106017		85F-06.00.00.16	Variable gear cam	1	1
63	MR2021106008		85F-06.00.00.07	Lower shift link	1	1
64	MR0104181BAG		GB/T896 8	C irclip	1	10
65	MR01061938		60F-06.00.00.16	Lower Shift rod O-Ring 49.5*3	1	1
66	MR010519370		60F-06.00.00.15	Lower Shift rod oil seal	1	1
67	MR01061939BAG		60F-06.00.00.19	Lower Shift rod O-Ring 6.5*19	1	5
68	MR091101011945	MR01011945	60F-06.00.00.14	Shift rod seat	2	1
69	MR0104171BAG			Flat gasket	2	10
70	MR01040090BAG		GB5783(8.8)	Hexagon headed bolt M6*16	1	10
71	MR01011901		60F-06.00.00.03	Anode	1	1
72	MR0104008BAG			Hex Head Bolt M6*12	1	10
73	MR01020128BAG		15F-06.01.03	plug,straight screw	2	2
74	MR01080139BAG		15F-06.01.04	Gasket	2	10
75	MR0104145BAG			Hexagonal nut	2	10
76	MR01071940BAG		60F-06.00.00.02□	Intake Cover(right)	1	5
77	MR0104322BAG		GB819□	Screw M5*45	1	10



9. Дейдвуд

NO.	КОД MR	КОД №2	КОД OEM	НАИМЕНОВАНИЕ	ШТ	УПАКОВКА
1	MR091101011954	MR01011954	60F-05.00.00.09	Lower damper Cap	2	1
2	MR0104336BAG			Screw M5*16	2	10
3	MR01071938BAG		60F-05.00.00.10	Plastic nut	2	2
4	MR0104036BAG			Hex Head Bolt M8*25	4	5
5	MR01041540BAG			washer	24	10
6	MR091101011939		60F-05.00.00.11	Lower damper shell	2	1
7	MR01091912BAG		60F-05.00.00.12	lower damper cap spring	4	2
8	MR01061932BAG		60F-05.00.00.07	rubber sleeve	2	2
9	MR01021901		60F-05.00.00.14	Hex head Bolt M12*1.25*153	2	1
10	MR0104167BAG			Gasket	2	5
11	MR01061933BAG		60F-05.00.00.13	Rubber Cushion Ф25	2	5
12	MR01021937		60F-05.00.03.00	Lower Damper Assy	2	1
13	MR0104333		DIN985	Hex nylon locking nut M12*1.25	2	1
14	MR0104161BAG			Flat gasket 12	2	10
15	MR09302011105001	MR2011105001	85F-05.00.00.01	Water device housing	1	1
16	MR2061105004		85F-05.00.00.15	Base cushion	1	1
17	MR01040451BAG		GB5783 M8*90(A2-70)	hex bolt	8	5
18	MR01020110BAG		15F-01.06.20	Locating Pin 2*6	4	10
19	MR2061105002		85F-05.00.00.08	Muffler housing ring	1	1
20	MR2011105004		85F-05.00.00.11	Silencer housing	1	1
21	MR01061133BAG		40F-05.00.00.16	Seal ring(lower),hose	1	2
22	MR2101105002		85F-05.00.00.10	Water pipe	1	1
23	MR01071129BAG		40F-05.00.00.15	Bushing, hose	1	2
24	MR01061132BAG		40F-05.00.00.14	Seal ring,hose	1	5
25	MR2061105001		85F-05.00.00.06	Silencer housing shock absorbing strip	1	1
26	MR0104037BAG			Bolt	3	2
27	MR010417109BAG			Flat gasket	3	10
28	MR2061105003		85F-05.00.00.09	Idle exhaust rubber strip	1	1
29	MR2011105005		85F-05.00.00.12	exhaust pipe	1	1
30	MR0104037BAG			Bolt	3	2
31	MR0104038BAG		GB5783 M8*35(A2-70)	Bolt	3	5

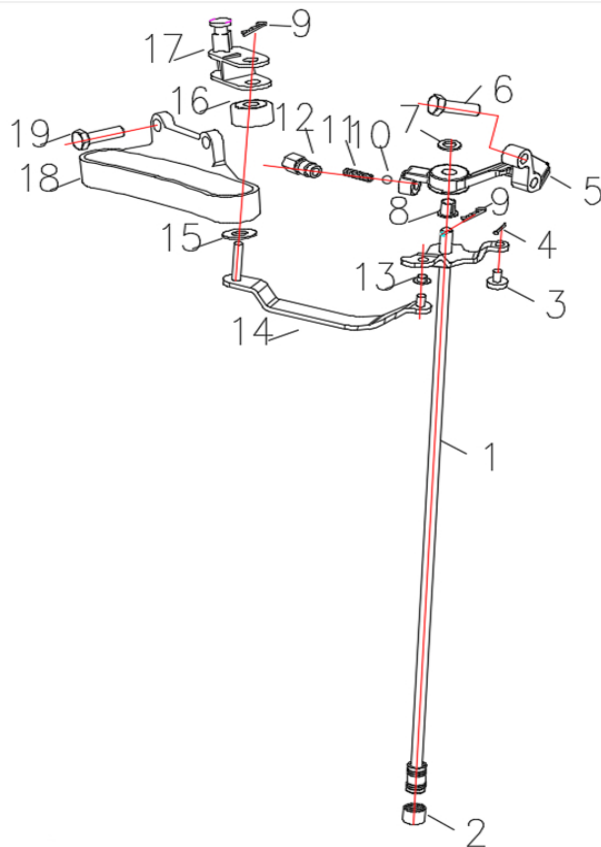
32	MR2051105009		85F-05.00.00.13	Exhaust pipe gasket	1	1
33	MR2051105010		85F-05.00.00.07	Upper shell gasket	1	1
34	MR01044135BAG		GB9074.1 M8*35	Hexagon headed bolt and flat plate M8*35	2	5
35	MR01011938		60F-05.00.00.08	Upper damper shell	1	1
36	MR0104037BAG			Bolt	2	2
37	MR09302011105006	MR2011105006	85F-05.00.00.14	Body base	1	1
38	MR01061932BAG		60F-05.00.00.07	rubber sleeve	2	2
39	MR01021903		60F-05.00.00.04	Hex head bolt M10*1.25*1.73	2	1
40	MR0104161BAG		GB848□	Flat gasket 12	2	10
41	MR01061931BAG		60F-05.00.00.06	Rubber gasket Φ21	2	5
42	MR01081905BAG		60F-05.00.00.05	Flat gasket 21*28*3	2	2
43	MR01021934		60F-05.00.01.00	Upper damper Assy.	2	1
44	MR2022703010A		F60-04.00.01.10	Hexagonal nylon lock nut	2	1



10. Кронштейн струбины

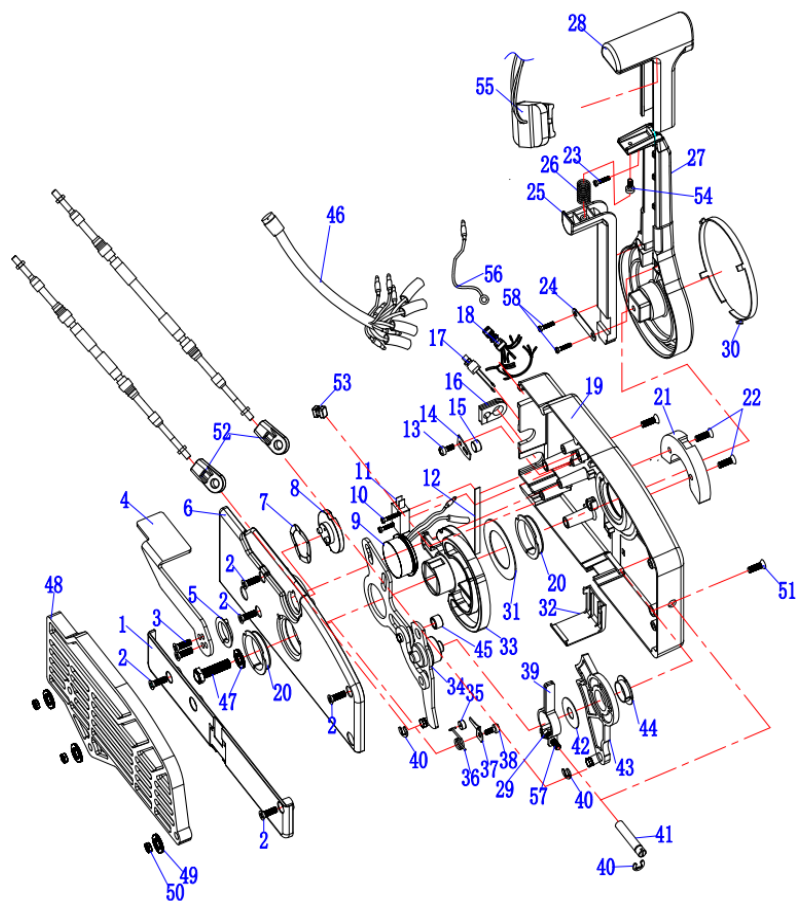
NO.	КОД MR	КОД №2	КОД OEM	НАИМЕНОВАНИЕ	ШТ	УПАКОВКА
1	MR091101011931	MR01011931	60F-03.00.00.22	Swivel bracket	1	1
2	MR09292012703004A	MR2012703004A	F60-03.00.01.06	Right bracket	1	1
3	MR09292012703003A	MR2012703003A	F60-03.00.01.05	Left bracket	1	1
4	MR01021114		40F-03.04	Bolt	1	1
5	MR01020115		15F-03.01	Clamp nut	2	1
6	MR01081114BAG		40F-03.03	Washer	2	2
7	MR01071121		40F-03.07.02	Damping ring,bracket	2	1
8	MR01071949BAG		60F-03.00.00.08	Stud cover	2	2
9	MR0104324BAG			Circlip D30	1	10
10	MR01011928		60F-03.00.00.02	Lower damper base	1	1
11	MR01071925BAG		60F-03.00.00.03	Lower Bushing	1	2
12	MR0104321BAG			Screw M6*8	1	10
13	MR0104335BAG			Circlip A type Ф15	2	10
14	MR01021930		60F-03.00.00.16	Hydraulic Trim Support shaft (up)	1	1
15	MR01071929BAG		60F-03.00.00.15	Hydraulic Trim bushing	2	2
16	MR01071930BAG		60F-03.00.00.17	Supporting shaft sleeve	1	2
17	MR01051919		60F-03.03.00.00	Manual Trim Assy	1	1
18	MR01071926BAG		60F-03.00.00.05	Bushing	2	5
19	MR0104007BAG			Hex Bolt M6*10	1	10
20	MR01011108		40F-01.06.00.11	Anode,water outlet	1	1
21	MR01040090BAG			Hexagon headed bolt M6*16	1	10
22	MR0104171BAG			Flat gasket	1	10
23	MR01081903		60F-03.00.05.00	Tilt positioning lever - Left	1	1
24	MR01071931BAG		60F-03.00.00.20	Arm bush	3	2
25	MR01071933		60F-03.00.04.00	Tilt positioning lever arm assy.	1	1
26	MR01091911BAG		60F-03.00.00.19	Tilt positioning lever spring	1	2
27	MR01071932BAG		60F-03.00.00.21	Arm open bush	1	2
28	MR0104371BAG			Elastic cylindrical pin 3*16	2	10
29	MR01081920BAG		60F-03.00.00.18	Hook,spring	1	5
30	MR0104007BAG			Hex Bolt M6*10	1	10

31	MR01081904		60F-03.00.06.00	Tilt positioning lever - Right	1	1
32	MR01021928		60F-03.00.00.09	Hex Nut M18*1.5	2	1
33	MR091101011930	MR07190012	60F-03.00.00.12	Bracket blocker	1	1
34	MR01071928BAG		60F-03.00.00.14	Hydraulic trim Bushing(lower)	2	2
35	MR01011903		60F-03.00.00.11	Anode	1	1
36	MR0104374BAG			bolt	2	10
37	MR0104171BAG			Flat gasket	2	10
38	MR01021932		60F-03.00.00.13	Hydraulic Power Trim Support shaft (down)	1	1
39	MR01081930		60F-03.00.00.10	Flat Gasket $\Phi 19 \times \Phi 29.5 \times 3$	1	1
40	MR01091943			Angle positioning pin assy.	1	1
41	MR01060123BAG		15F-03.09.12.01	rubber Sleeve	1	2
42	MR01101904		60F-03.00.03.00	Ground Wire assy.	1	1
43	MR01101905		60F-03.00.07.00	Ground Wire assy.	1	1
44	MR0104007BAG			Hex Bolt M6*10	1	10
45	MR0104171BAG			Flat gasket	1	10
46	MR01100109BAG		JB/7940.1	Oil cup	3	2
47	MR091101011929	MR07190011	60F-03.00.01.00	Steering bracket assy.	1	1
48	MR01021124		40F-04.01.04	Double-screw bolt	2	1
49	MR01081919BAG		60F-03.00.00.07	Upper Bushing Washer	1	2
50	MR01071927BAG		60F-03.00.00.06	Upper bushing	1	2
51	MR01061926		60F-03.00.00.04	O ring(29*3.8)	2	1



11. Вал передач

NO.	КОД MR	КОД №2	КОД OEM	НАИМЕНОВАНИЕ	ШТ	УПАКОВКА
1	MR2081101016		85F-01.06.03.00	Upper shift lever assembly	1	1
2	MR2061101010BAG		85F-01.06.00.11	Seal ring	1	5
3	MR2021101012		85F-01.06.00.10	Shift link pin	1	1
4	MR01041850BAG		GB/T91 1.6*12	Cotter pin 1.6*12	1	10
5	MR2011101033		85F-01.06.00.06	Shift cam seat	1	1
6	MR01044134BAG		GB9074.1 M8*25(A2-70)	Hexagonal bolt & flat gasket assy M8*25	2	10
7	MR0104165BAG		GB96 M8	Flat gasket	1	10
8	MR2071101014BAG		85F-01.06.00.09	Plastic bushing B	1	2
9	MR01090126BAG		15F-04.08.05	circlip(L)	2	2
10	MR0104370BAG		GB308	Steel ball 1/4	1	2
11	MR01091904		60F-01.06.00.13	SPRING	1	1
12	MR01021919		60F-01.06.00.12	HEX NUT M12*1.25	1	1
13	MR2071101013BAG		85F-01.06.00.05	Plastic bushing A	1	2
14	MR2081101015		85F-01.06.02.00	Shift lever assembly	1	1
15	MR010719020BAG		60F-01.06.00.16	WASHER	1	10
16	MR01071920		60F-01.06.00.15	Gear sliding sleeve	1	1
17	MR2071101011		85F-01.06.00.03	Gear sleeve bracket	1	1
18	MR2011101034		85F-01.06.01.02	Shifting link bracket	1	1
19	MR0104406BAG		GB9074.1 M6*20(A2-70)	Flat gasket&Bolt	2	10



12. Контроллер

NO.	КОД MR	КОД №2	КОД OEM	НАИМЕНОВАНИЕ	ШТ	УПАКОВКА
1	MR090901010801		HDYK00.00.01	Small plate	1	1
2	MR0104111BAG		GB819 M5*16	Bolt	5	10
3	MR0104110BAG		GB819 M5*12	Screw M5*12	2	10
4	MR01080801		HDYK00.00.02	Lale lock handle	1	1
5	MR01070801BAG		HDYK00.00.04	Antifriction Bushing	1	2
6	MR01010807		HDYK00.00.31	cap	1	1
7	MR01080802BAG		HDYK00.00.03	Wave Washer	1	2
8	MR01010802		HDYK00.01.00	Handle Lock wheel Assy	1	1
9	MR01030801		HDYK00.02.01	Buzzer assy	1	1
10	MR0104071BAG		GB818 M3*14	Pan Screw M3*14	2	10
11	MR01030804		HDYK00.05.00	Idle Start switch	1	1
12	MR01090802BAG		HDYK00.00.10	Spring steel plate	5	10
13	MR0104072BAG			Cross recessed Pan head screws M4*6	1	10
14	MR01080804BAG		HDYK00.00.09	Plate	1	2
15	MR01020802BAG		HDYK00.00.11	Shift limit pin	1	5
16	MR01060801BAG		HDYK00.00.12	Wire Harness Seal Ring	1	10
17	MR01030802		HDYK00.03.00	Engine shut-off switch	1	1
18	MR01030803		HDYK00.04.00	Start switch Assy	1	1
19	MR01010803		HDYK00.00.08	Remote control box	1	1
20	MR01070804BAG		HDYK00.00.16	Gear Shift Seat washer	2	5
21	MR01070806BAG		HDYK00.00.20	Handle Limit Assy	1	2
22	MR0104111BAG		GB819 M5*16	Pan head bolt with cross recess	2	10
23	MR0104226BAG		GB818 M4*10	Pan head bolt with cross recess	1	10
24	MR01080809BAG		HDYK00.09.05	handle Lock plate	1	2
25	MR01070809		HDYK00.09.04	Handle lock switch	1	1
26	MR01090803BAG		HDYK00.09.06	Spring	1	2
27	MR2012408001		HDYK00.09.11	Handle seat	1	1
28	MR2072408001		HDYK00.09.13	Handle	1	1
29	MR0104137BAG		GB6170 M5	Hex Nut M5	2	10
30	MR2072408003		HDYK00.09.12	Handle seat decoration ring	1	1
31	MR01070803BAG		HDYK00.00.15	Gear Shift Seat washer	1	5
32	MR2072408002			connector,box cap	1	1
33	MR01010804		HDYK00.00.14	Shift seat	1	1
34	MR01080816			Throttle controler Assy	1	1
35	MR01020821BAG		HDYK00.00.06	Guide wheel	1	2
36	MR01090801BAG		HDYK00.00.07	Spring	1	5
37	MR01080803BAG		HDYK00.00.05	Guide wheel plate	1	2

38	MR0104072BAG			Cross recessed Pan head screws M4*6	1	10
39	MR01020810		HDYK00.08.01	Locking Clamp	1	1
40	MR0104179BAG		GB896 6	Circlip	3	10
41	MR01020811BAG		HDYK00.08.02	Adjusting screw	1	5
42	MR01070805BAG		HDYK00.00.19	Shift control washer	1	5
43	MR01010805		HDYK00.00.17	Shift controler	1	1
44	MR01080808BAG		HDYK00.00.13	Shift control washer	1	2
45	MR01020808BAG		HDYK00.07.10	Guide wheel	1	2
46	MR01031610		DQQ-00.00.07.00-L	Ten-pin plug 5M	1	1
47	MR01044130BAG		GB9074.1 M8*30(8.8)	Flat gasket&bolts	1	5
48	MR01070814		HDYK00.00.32	Remote control fixation plate	1	1
49	MR0104175BAG		GB5287 M6	Flat gasket 6	3	10
50	MR0104138BAG		GB6170 M6	Hex Nut M6	3	10
51	MR0104119BAG		GB820 M6*90	Screw M6*90	3	5
52	MR01070812BAG		HDYK00.00.25	Cable adjustor B	2	2
53	MR01060803BAG		HDYK00.00.27	Wire harness sealing Seat	1	10
54	MR01040760BAG		GB818 M5*10	Cross recessed pan head tapping screws(M5*10)	3	10
55	MR2032702005		F60-02.00.03.04	Electric lifting remote control box switch	1	1
56	MR01030824BAG		HDYK00.05.01	Electric Start Idle Wire	1	2
57	MR0104005BAG		GB5783 M5*25	Hex head bolt M5*25)	2	10
58	MR0104110BAG		GB819 M5*12	Cross recessed pan head tapping screws(M5*12)	2	10

13. Аксессуары

NO.	КОД MR	КОД №2	КОД OEM	НАИМЕНОВАНИЕ	ШТ	УПАКОВКА
1	MR01070166		15F-08.00.00	fuel case Assy.	1	1
2	MR01100108		15F-08.01.06.00	Fuel pipe check valve assembly	1	1
3	MR01100134		15F-09.00	toolkit	1	1
4	MR01041892BAG		GB91 3.2*25	Cotter pin	1	10
5	MR0104171BAG		GB97.1 M6	Flat gasket	1	10
6	MR01030310		BR8HS-10(30F/60F)	Spark plug	1	1
7	MR0104368		M12*1.25*110(9.8)	Hexagon head bolt (thread 60mm)	4	1
8	MR01070168BAG		15F-09.01	emergency starting handle	1	2
9	MR010418709BAG		GB91 2*12	Cotter pin 2*12	1	10
10	MR01100103		15F-01.01.22	starter rope	1	1
11	MR0104173BAG		GB97.1 M12	Flat gasket 12	4	10
12	MR01080139BAG		15F-06.01.04	Gasket	2	10
13	MR01061901			Water pump impeller assy	1	1
14	MR01020128BAG		15F-06.01.03	plug, straight screw	2	2
15	MR0104167BAG		GB96 M12	Gasket	4	5
16	MR01080638BAG		GB6170(10) M12*1.25	Flying wheel nut	8	2
17	MR2031101030			Marine instrument	1	1
18	MR2031101031		85F-01.02.00.11	Instrument extension cable	1	1
19	MR01020813BAG		HDYK00.10.04	hex bolt	1	5
20	MR01020815BAG		HDYK00.10.05	hex thin bolt	1	2
21	MR01020820BAG		HDYK00.10.07	Nylon lock nut	2	2
22	MR01021949BAG		60FE-03.00.00.26	bushing, lever hook	1	2
23	MR0104119BAG		GB820 M6*90	Screw M6*90	3	5
24	MR0104138BAG		GB6170 M6	Hex Nut M6	3	10
25	MR01041710901BAG		GB97.1 M10	Flat gasket	2	10
26	MR0104175BAG		GB5287 M6	Flat gasket 6	3	10
27	MR01070811BAG		HDYK00.00.24	Cable adjuster A	2	5
28	MR01070812BAG		HDYK00.00.25	Cable adjustor B	2	2
29	MR01070814		HDYK00.00.32	Remote control fixation plate	1	1
30	MR01091919		60FE-03.00.00.25	lever	1	1
31	MR0110080105			Cable Comp., remote control (8M)	2	1
32	MR01100807		HDYK00.00.34.00	steering wheel Assy.	1	1
33	MR01100808		HDYK00.00.35.00	direction base Assy.	1	1
34	MR01100818		HDYK00.00.35.01(5.5M)	Steering Cable (5.5m)	1	1
35	MR2101101002BAG		20A(F20AL250V)	fuse wire	1	5